



SNATCH BLOCKS

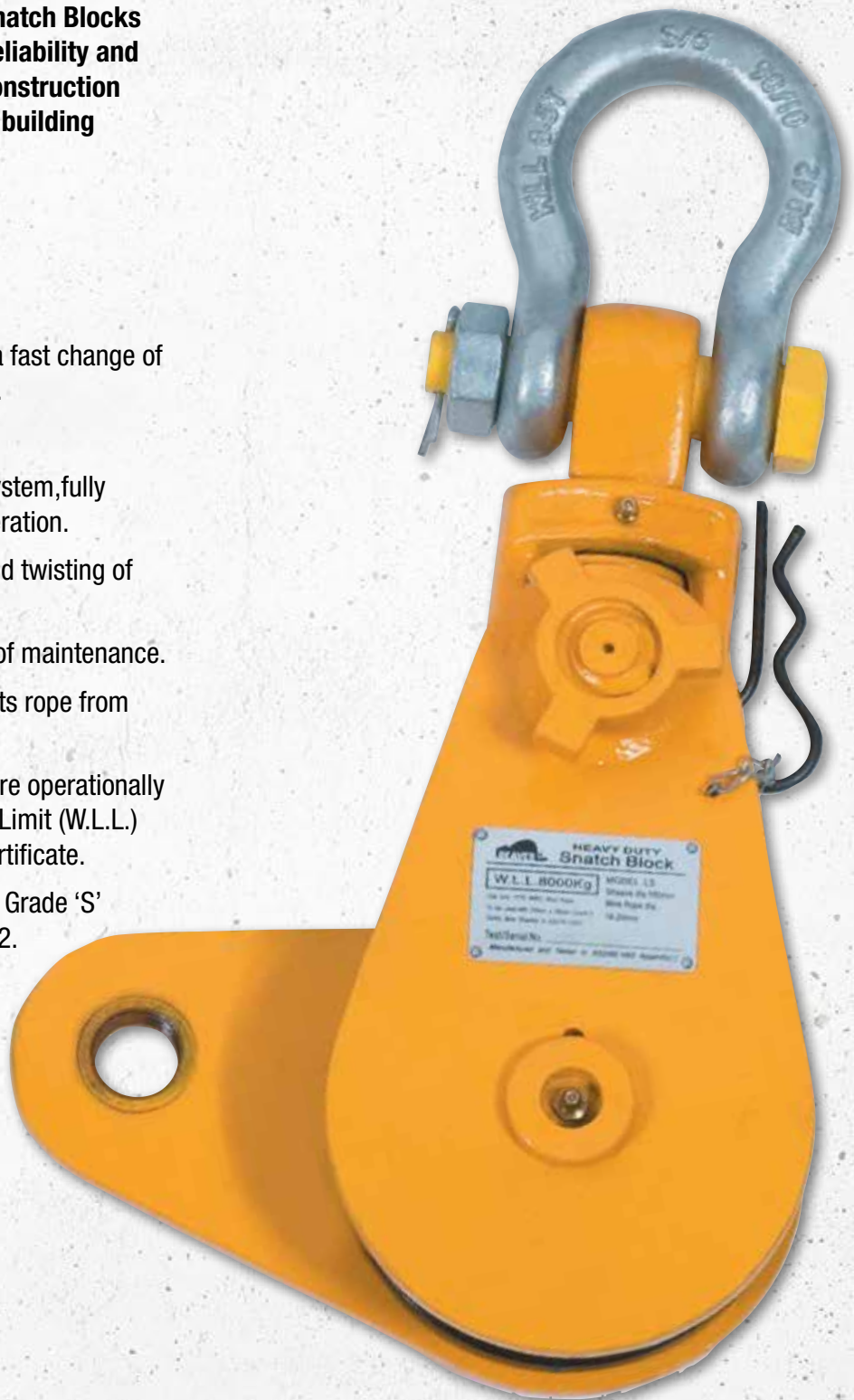
Heavy Duty Snatch Blocks

Available in 4T to 50T Capacities

Beaver's new range of Heavy Duty Snatch Blocks offer the best in innovation, safety, reliability and performance with applications for construction mining, offshore exploration and the building industry.

FEATURES

- Solid all-steel construction.
- Easy opening mechanism ensures a fast change of wire rope while block is suspended.
- Fully machined sheeve.
- Sheeve has a sealed ball bearing system, fully lubricated for maintenance free operation.
- Forged steel eye is designed to avoid twisting of unit during operation.
- Fitted with grease nipples for ease of maintenance.
- Special design of side plates restricts rope from jamming.
- Beaver Heavy Duty Snatch Blocks are operationally tested to 2 times the Working Load Limit (W.L.L.) and come with an individual test certificate.
- Each unit is supplied complete with Grade 'S' safety bow shackle to AS 2741:2002.
- All Beaver Heavy Duty Snatch Blocks have an individual test serial number stamped on the identification plate.
- Manufactured and tested to AS 2089:1993 Appendix (I).





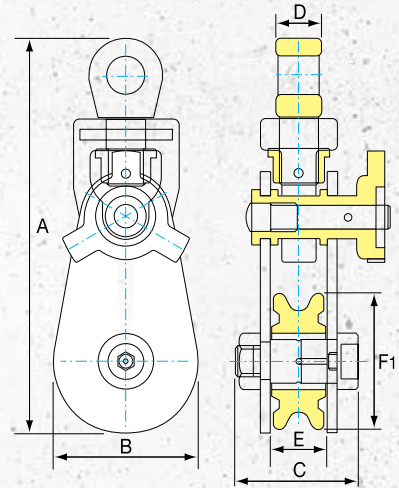
SNATCH BLOCKS

Heavy Duty Snatch Blocks

Technical Data



All beaver Heavy Duty Snatch Blocks are individually packaged including Test Certificate & Operating Instruction Manual.

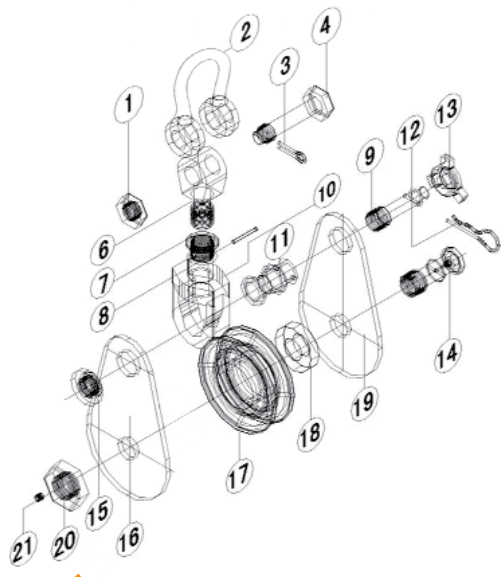


Specifications & Dimensions

Beaver Code	W.L.L. Tonnes	Wire Rope Dia. mm	Sheave Dia. mm F	Dimensions - mm					Grade 'S' Safety Bow Shackle to AS2741:2002
				A	B	C	D	E	
557210S	4	12-14	210	367	220	68	32	32	22 x 25 mm
557275S	8	16-20	275	518	285	94	40	48	25 x 29 mm
557395S	12	22-26	395	685	410	120	52	64	35 x 38 mm
557420S	15	26-28	420	730	435	120	55	64	38 x 41 mm
557480S	22	28-32	480	867	500	155	68	70	44 x 51 mm
557675S	30	45	675	1146	700	174	82	90	51 x 57 mm
557750S	50	48-52	750	1435	780	235	100	105	63 x 70 mm

Parts List

Beaver Code	Part No.	Item Description	Beaver Code	Part No.	Item Description
900001	1	Nut	900012	12	Clamp
900002	2	Grade 'S' Safety Bow Shackle	900013	13	Handle
900003	3	Pin	900014	14	Shaft for Wheel
900004	4	Pin for Shackle	900015	15	Nut
900006	6	Ring	900016	16	Left Side Plate
900007	7	Nut for Hook	900017	17	Wheel
900008	8	Pin	900018	18	Sealed Ball Bearing
900009	9	Shaft (top)	900019	19	Right Side Plate
900010	10	Ring	900020	20	Nut
900011	11	Wheel	900021	21	Screw



Distributed by:



Specifications and dimensions subject to change without notice. Copyright Beaver Brands B0C-SA-03-557